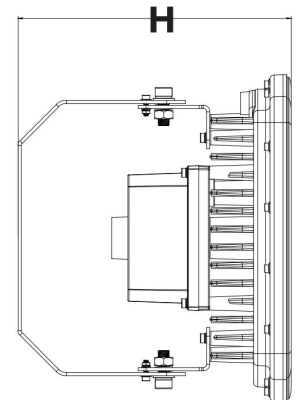
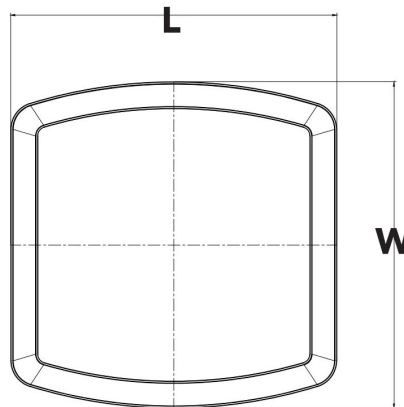


EXPF HAZARDOUS LOCATIONS CLASS 1, DIV. 2



Shown with
Optional Slip Fitter Adaptor



TECHNICAL SPECIFICATIONS:

- :: Housing: Die-cast aluminum housing with powder coat finish (Grey)
- :: Super clear tempered glass
- :: Voltage: 100-277V
- :: Cord type: 2' SJTW 18/3 AWG cable
- :: Power Factor: .9~.98
- :: Operating Temp: -22°F to 122°F
- :: Up to 150 lumens per watt
- :: 100,000 hour rated life
- :: 7-year warranty
- :: Suitable for Hazardous Locations, IP68

APPLICATIONS:

- :: Ideal for general site lighting, alleys, loading docks, doorway, pathway and parking areas.
- :: Great for use with motion sensors or other instant on/off controls



LED EXPLOSION-PROOF FLOOD LIGHTS

CATALOG NO.	WATTS	LUMENS	COLOR TEMP	DIMENSIONS
EXPF-30W-60K	30W	3450LM	6000K	11.8"(L) x 11.8"(W) x 6.9"(H)
EXPF-100W-60K	100W	11500LM	6000K	11.8"(L) x 11.8"(W) x 6.9"(H)
EXPF-180W-60K	180W	20700LM	6000K	15.7"(L) x 15.7"(W) x 7.3"(H)
LF-AD-SF-GY	Slips onto pole top 2" Dia. Fixture mounts directly on the side or top of this device. Grey Finish			